

Rectifiers SwitchMode

1 - 15 A



Profitable investment

- Compact and powerful
- Easy to install

Low cost of operation

- Minimum of maintenance
- Air cooling, no cost for oil, water etc.
- Designed for automatic operation

Process optimized

- Designed to work with Thor System
- High accuracy and very low ripple
- Ease of interface with computers
- Easy to link units for higher current output
- Wide range of options to suit your process

Secure and safe

- Designed according to international standards
- Extensive warranties
- Service and spare parts available world wide

Built in features

- CAN Field bus interface
- Serial communication

Options

- Programmable controller
- Signal converters
- Digital instrumentation
- 10-turns potentiometers
- Custom-designed rectifiers

Function

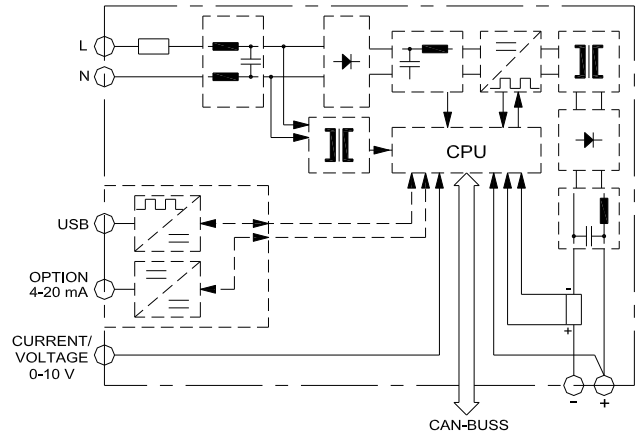
The main voltage is connected to the diode bridge via a RFI-filter. The main voltage is rectified and smoothed by a filter and is then connected to the transistor switch.

The transistor switch converts the DC-voltage into high frequency pulses which are applied to the main transformer.

The transformer provides isolation from the mains and transforms the voltage to the rated output level. The control unit, monitors actual DC-current & voltage and regulates the output.

For external annunciation the unit have 2 relays for Alarm & Current output .

Block schematic diagram



Technical Data & Standard Sizes

Supply voltage:	230 V, $\pm 10\%$, 50-60 Hz, other voltages on request	Protections:	Over-current, over-temperature, transient voltage and short circuit protected.
Control accuracy:	Voltage/current $< \pm 1\%$.	Cooling:	Air cooling by natural.
Ambient temp.:	Max 40°C	Humidity:	Max 85% relative
Radio interference:	Suppressed according to VDE 0871 A, wirebound interference.	DC ripple:	$< 1\%$ between 10 - 100% of output current at CC mode (typically $< 0,5\%$).
Power factor:	About 0,95 at rated load.	Duty ratio:	Designed for continuous operation at rated load up to 1000 m altitude.
Regulation range:	Constant Voltage/Current 0-100%.	Efficiency:	$\sim 95\%$ depending on rating.
Dimension (LxHxD):	230x230x125 mm	Weight:	2kg

Nominal DC-voltage V	25	25	15
Nominal DC-current A	1	10	15
Primary current (240V)	0,4	2,4	2,4

